

INTRODUCTION

UK-2PA0-A-GL


The KVM switch allows a single keyboard, video display monitor, and mouse to be switched to access multiple computers. The switch provides more table space in addition to saving the cost of multiple keyboards and monitors.



FEATURES

- Access multiple PCs with one set of Keyboard, Mouse, Monitor and Audio.
- Space saving and cost effective.
- Front panel LEDs indicate which PC is selected.
- Select PCs by using front panel SELECT button or Hot Key command.
- Auto Scan Mode sequences through PC.
- Supports SVGA , VGA and multi-sync Monitors, resolutions up to 2048*1536
- Can switch independent KVM and Audio.
- Buzz for switching confirmation.
- Windows 98, Me, 2000, XP, Vista and Linux OS compatible.

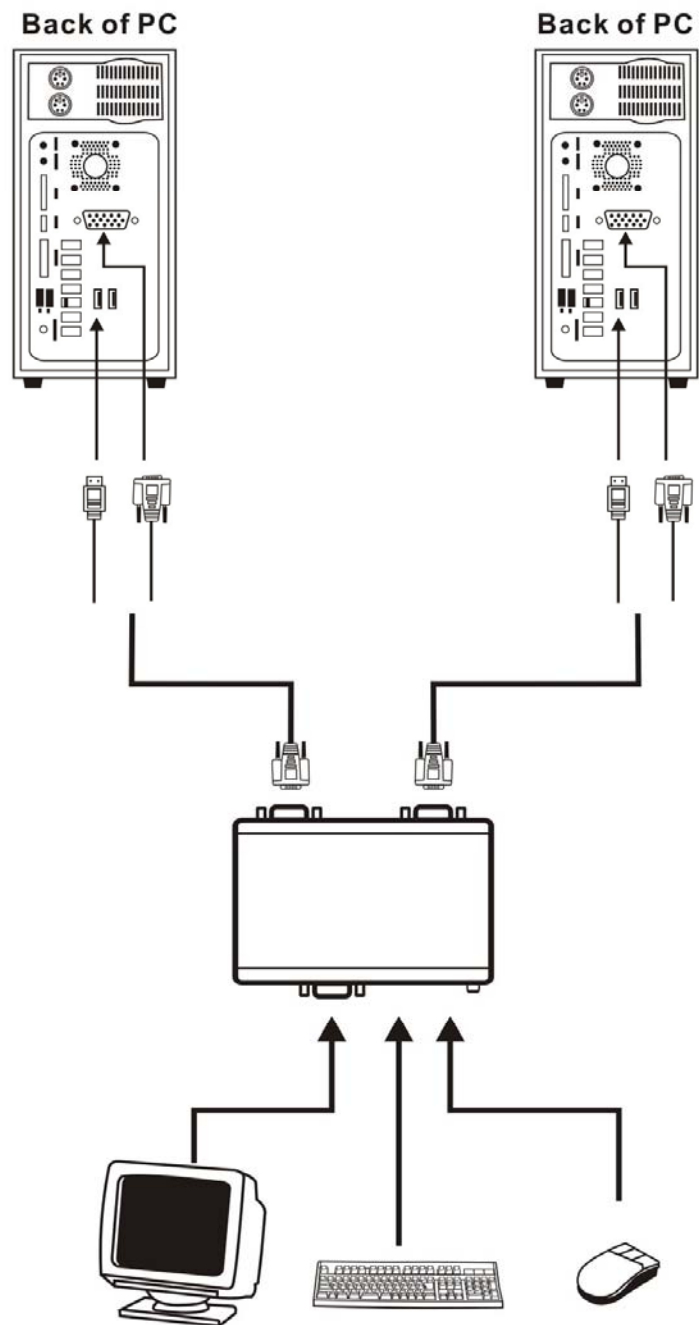
SPECIFICATION

Function		Specification
Model No.		UK-2PA0-A-GL
PC Port		2
USB Device Port		2 (only for one keyboard and one mouse)
Cable Length		1.8 m
Port Selection		Select button or Hot-key commands
PC Port LED	Selected	2 x Green Color LED
Cable Connector	PC	1 x USB Type A Male (white) 1 x HDB -15 Male (blue)
	KVM	1 x HDB -15 Male (block)
KVM Connector	Console	2 x HDB-15 Female (block)
	Keyboard	1 x USB Type A Female (white)
	Mouse	1 x USB Type A Female (white)
	Monitor	1 x HDB-15 Female (Blue)
Module Weight		98.8 g
Module Dimension (L x W x H)		110 x 66 x 22 mm
Emission		CE, FCC, C-Tick
		 Federal Communications Commission

PACKAGE CONTENTS

- 1 x 2-port USB KVM switch
- 1 x User manual
- 2 x Cables

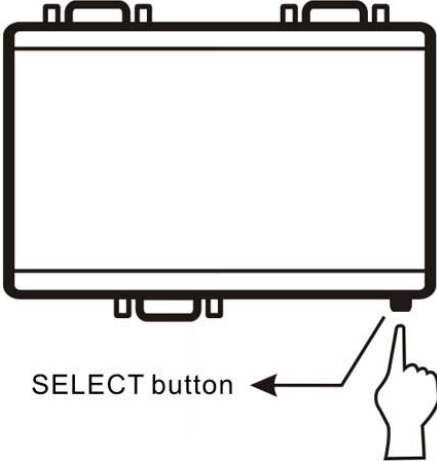
Hardware Installation



Configuration

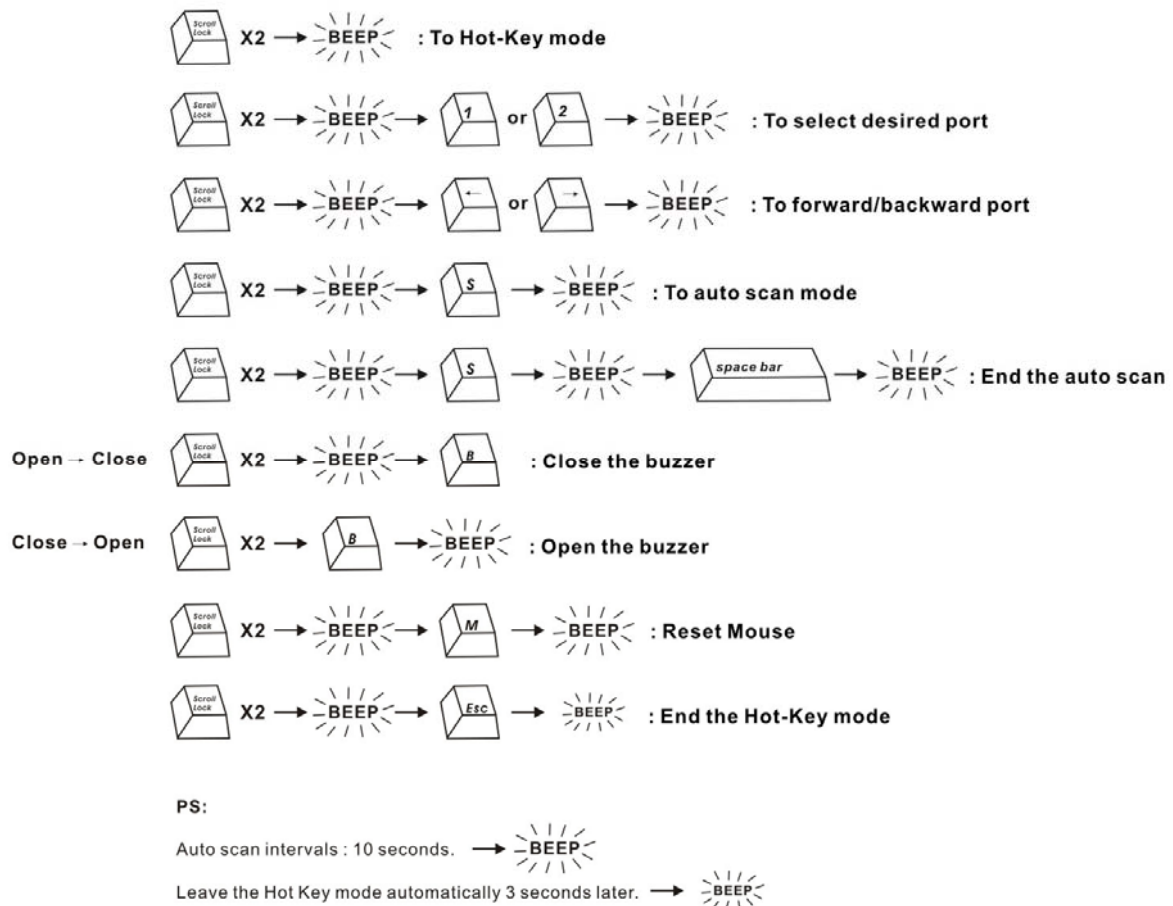
After installation, you can either choose the "SELECT" button that leads you through multiple computers or Hot Key controls.

The SELECT button



Keyboard Hot Key Menu:

Press [Scroll Lock] twice, and you will hear an audible switching confirmation tone to ensure you are already in the Hot Key Mode (LED is blinking)



In the Auto Scan mode, the KVM switch remains on one port for 10 seconds before switching to the next. Please notice that the mouse and keyboard control will be restricted in the Auto Scan mode.

P.S: Escape from Hot Key Mode, if you don't press any buttons after 4 or 5 seconds.

Note:

This KVM Switch will not detect whether a computer is on or off if the "Power On" function is set in the Bios. Meaning, when you switch to the computer that is turned off, there will be nothing displayed on the monitor.

Troubleshooting

Q1: When switching the computer on, the keyboard is not detected, or keyboard / mouse shows error message.

A:

If computer BIOS does not support USB boot-up, the system is unable to detect mouse and keyboard during computer start.

Q2: What if the computer BIOS is correct but the computer still unable to detect the mouse and keyboard?

A:

We suggest user to directly connect the USB KVM switch to USB port on PC, not connect through PCI card, Card Bus, or USB Hub.

Q3: The keyboard is functional, but the mouse is not.

A:

While using the device, we suggest user to plug on mouse first then follow by keyboard at the appointed location on USB KVM Switch.

Q4: When the device unoccupied for a moment, the mouse becomes not functional.

A:

If this incident happens, please press 「 Scroll Lock 」 + 「 Scroll Lock 」 + 「 M 」 to restart the device.

Call your dealer if there are any wrong, missing, or damaged parts. Keep the carton, including the original packing materials, to repack the KVM Switch if there is a need to return it for repair.